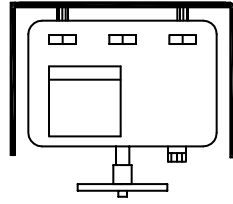
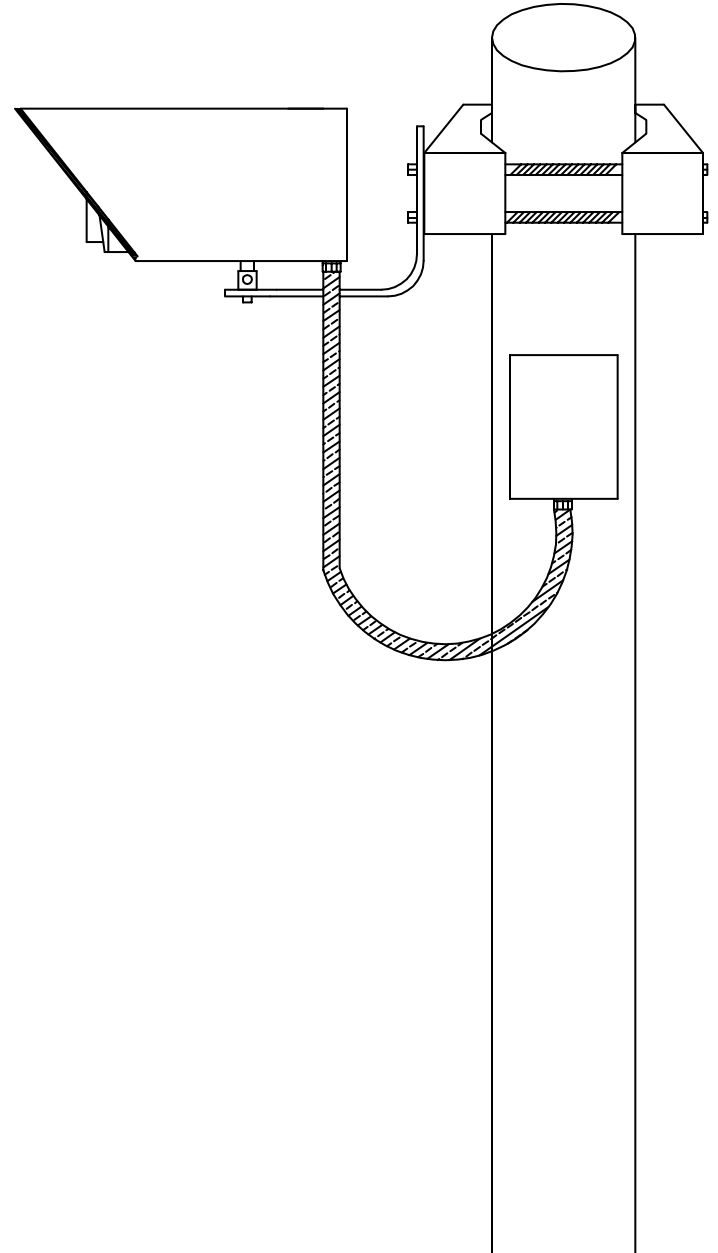
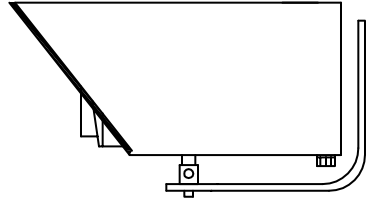


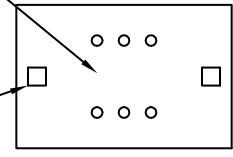
FRONT VIEW WITH WEATHER SHROUD



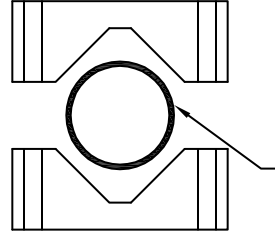
SIDE VIEW WITH WEATHER SHROUD



POLE MOUNT FACE VIEW TYPICAL

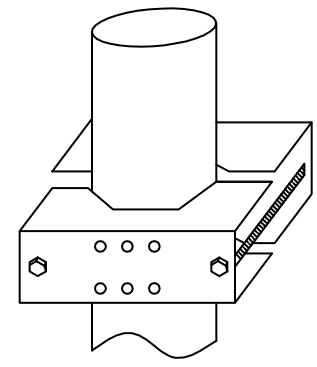
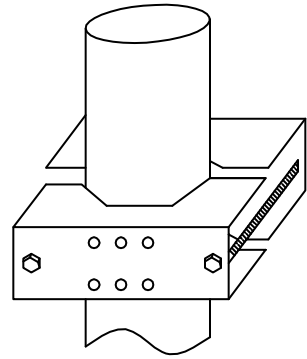


POLE MOUNT TOP VIEW



STANDARD "L" BRACKET SUPPLIED WITH SENSOR MOUNTS IN THIS AREA

CARRAGE BOLT INSTALLATION TYPICAL



ITEMS SHOWN NOT TO SCALE

PROTECTION TECHNOLOGIES, INC.	DRAWN BY: SANDRA DYE
529 VISTA BLVD.	DATE: APRIL 2003
SPARKS, NV 89434 (800) 428-9662	