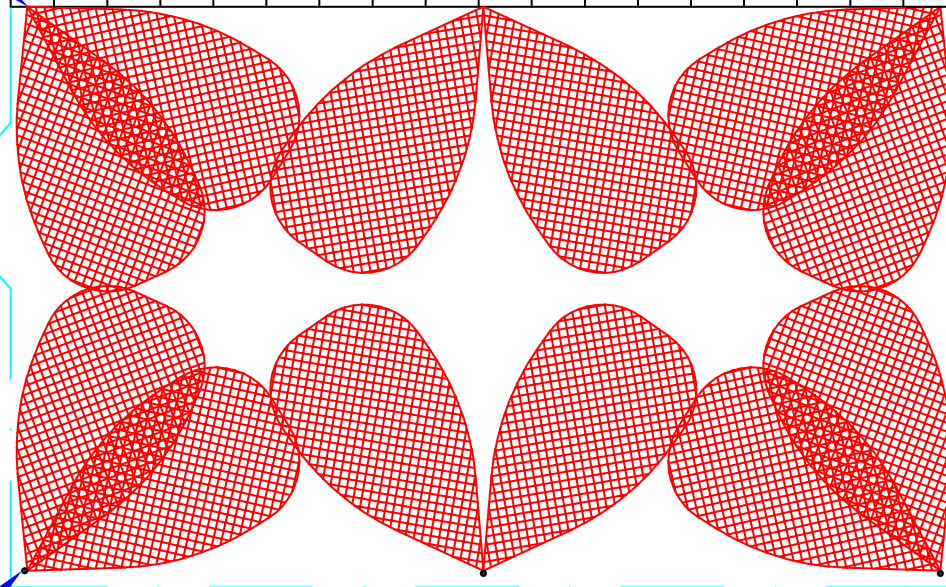
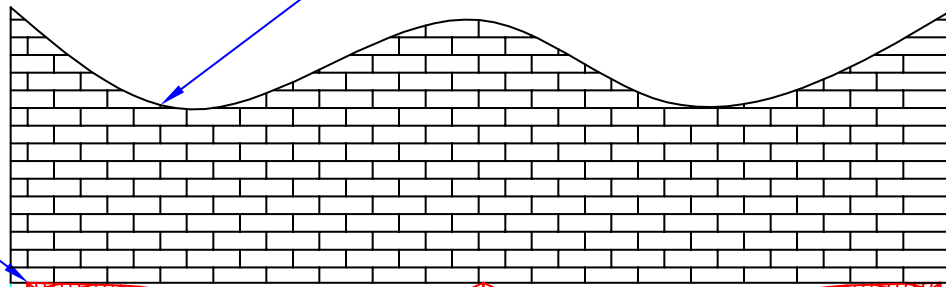


BUILDING

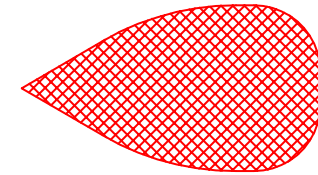
BUILDING MOUNTED
PIRAMID XL2
MOTION SENSORS

VEHICLE
GATE

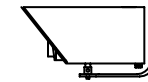
POLE MOUNTED
PIRAMID XL2
MOTION SENSORS



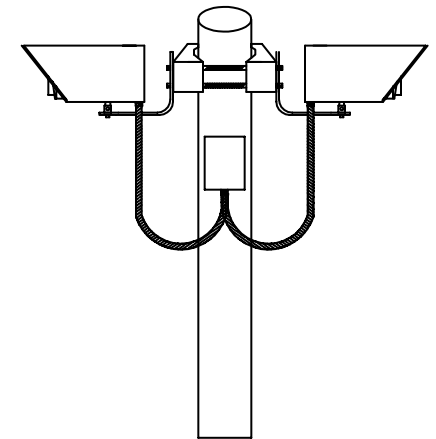
175'



MODEL SDI-77XL2
MOTION SENSOR
90'X50' PATTERN



MOTION SENSOR
BUILDING MOUNTED



MOTION SENSORS
POLE MOUNTED

PROTECTION TECHNOLOGIES, INC.
529 VISTA BLVD.
SPARKS, NV 89434 (800) 428-9662

DRAWN BY: MARK PEREZ
DATE: DECEMBER 21, 2006

DRAWN FOR:

COMPANY:

PROJECT NAME: TYPICAL WALL AND POLE MOUNTED